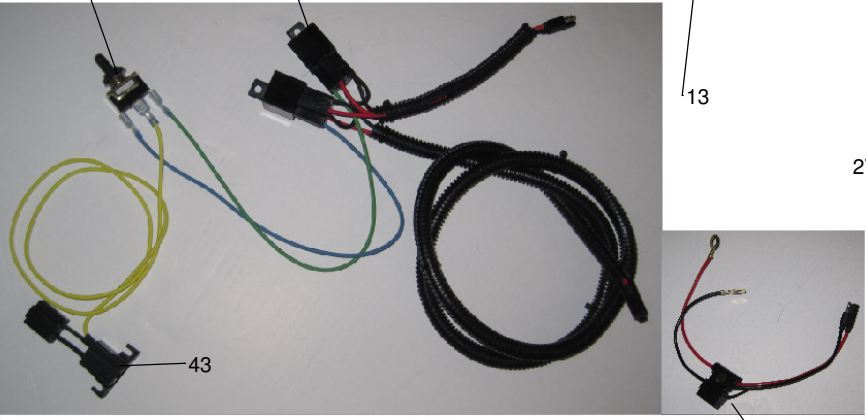
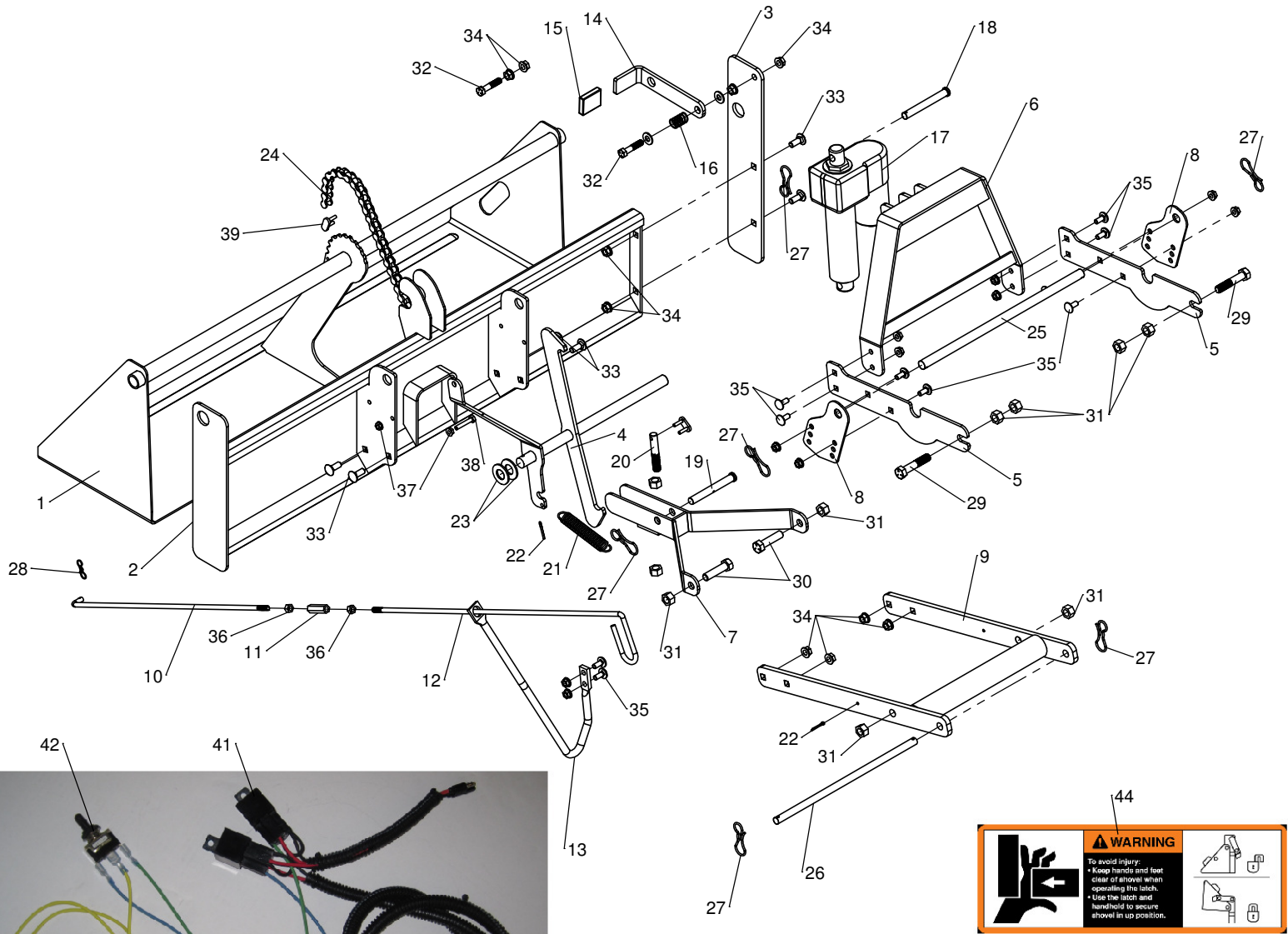


# 40" Tractor Shovel

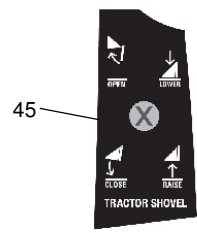
PIN Prefixes:	Model Number	Description	PIN Prefix
	LP63767	40" Tractor Shovel	



**WARNING**

To avoid injury:

- Keep hands and feet clear of shovel when operating the latch.
- Use the latch and handhold to secure shovel in up position.



ITEM NO.	PART NUMBER	DESCRIPTION	QTY.
1	ST50151	Scoop	1
2	ST50150	Moldboard	1
3	ST50103	Plate, Blade End, Right	1
4	ST50117	Weldment, Dump Latch	1
5	ST50153	Lift Brace	2
6	ST50155	Vertical Lift Support	1
7	ST50154	Blade Lift Frame	1
8	ST50110	Mount Support	2
9	ST50152	Push Bar	1
10	ST50114	Lower Control Rod	1
11	ST50141	5/16" Coupling Nut	1
12	ST50113	Upper Control Rod	1
13	ST50198	Lever Support	1
14	ST50599	Latch	1
15	ST50582	Black Cap	1
16	ST50360	Spring	1
17	ST50109	Actuator, 4"	1
18	ST50120	1/2"x4" Pin for Actuator	1
19	ST50121	1/2"x4" Custom Pin	1
20	ST50112	1/2" Anchor Pin	1
21	ST50140	Spring 40 T.S.	1
22	ST50142	Cotter Pin	2
23	ST65058	3/4" Flat Washer	2
24	ST50116	Chain 40"TS	1
25	ST50104	Pin, Blade Mounting	1
26	ST50105	Pin, Lift Pivot	1
27	ST43623	Bowtie Clip, Large	6
28	ST43624	Small Bowtie Clip	1
29	ST65118	1/2" x 2-1/2" Hex Bolt	2
30	ST65068	1/2" x 2" Hex Bolt	2
31	ST65034	1/2" Nut	10
32	ST65166	3/8" x 1-3/4" Hex Bolt	2
33	ST65013	3/8 x 1 Carriage Bolt	6
34	ST65012	3/8 Flange Nut	10
35	ST65006	5/16 x 3/4 Carriage Bolt	10
36	ST65056	5/16 Nut	2
37	ST65073	1/4" Flange Nut	2
38	ST65117	1/4"x 1-1/2" Bolt	1
39	ST50233	Link, Chain Connector	2
40	ST50129	Battery Harness w/ 30 Amp Fuse	1
41	ST50574	Relay Harness	1
42	ST50229	Toggle Switch	1
43	ST50573	Power Wire	1
44	ST50613	Warning Label	1
45	ST50595	Dash Label	1
--	ST50122	Plastic Grommet	1
--	ST50128	Deere Label	1
48	ST65003	3/8 Flat Washer	2
49	ST65008	5/16 Flange Nut	10